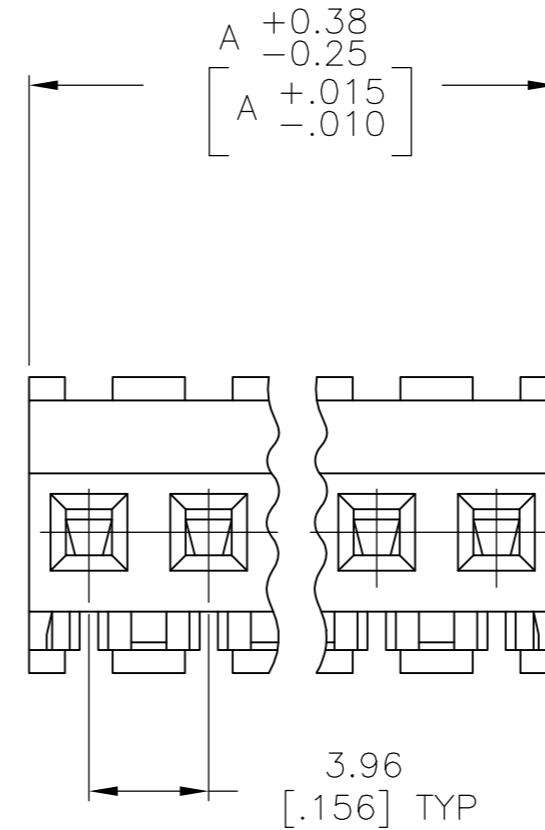
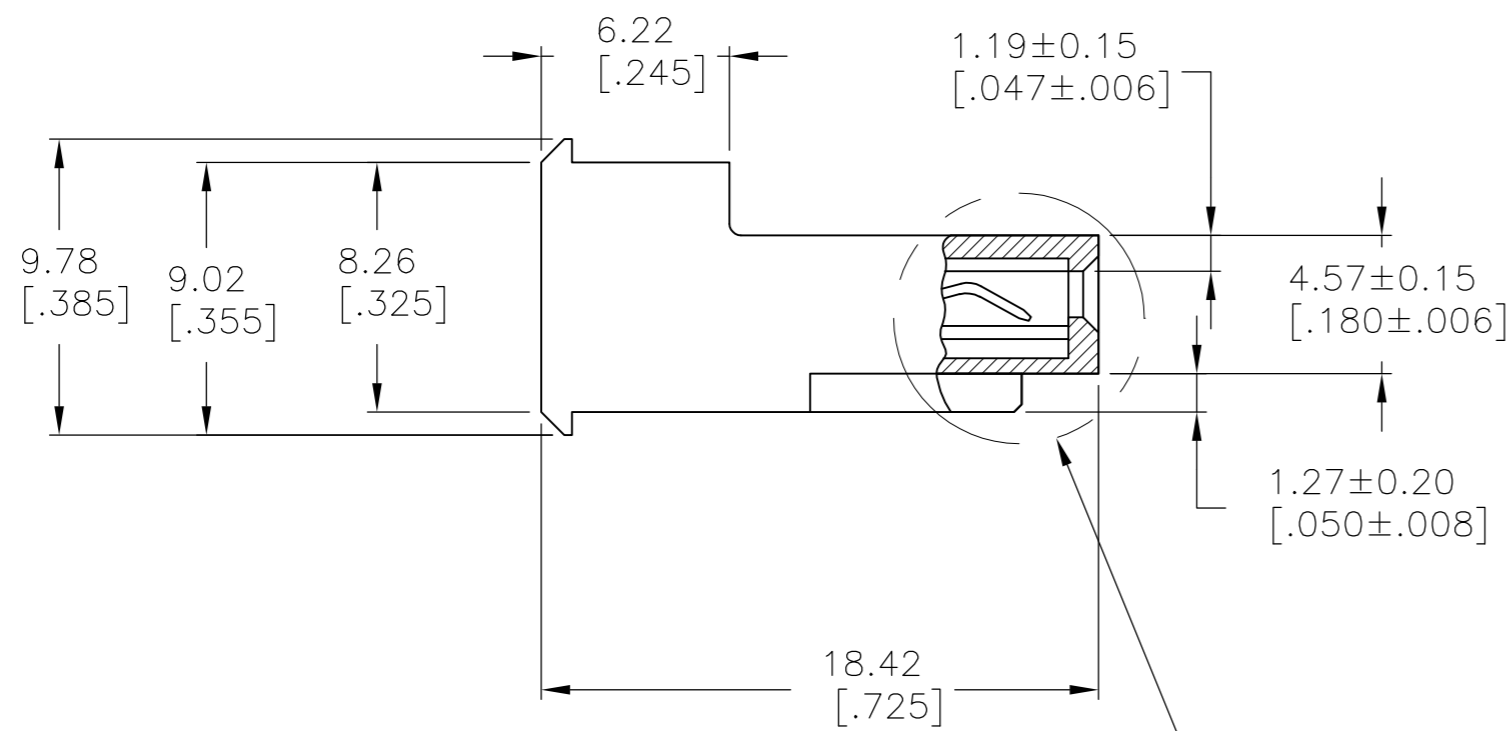
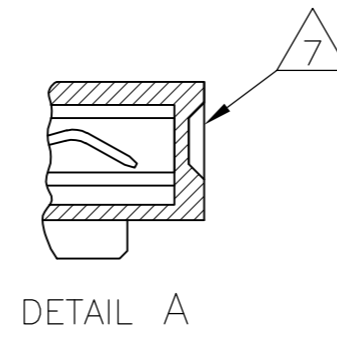
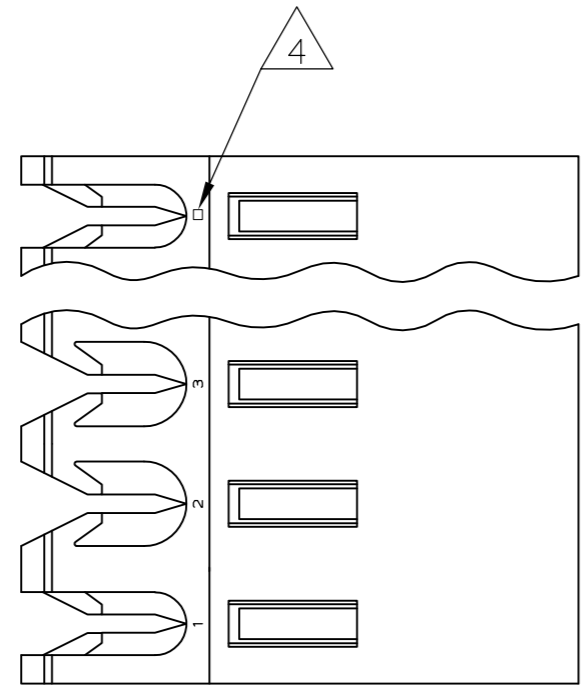


THIS DRAWING IS UNPUBLISHED. RELEASED FOR PUBLICATION
 © COPYRIGHT BY TYCO ELECTRONICS CORPORATION. ALL RIGHTS RESERVED.

LOC	DIST	REVISIONS					
CM	00	P	LTR	DESCRIPTION	DATE	DWN	APVD
		B		ECO-07-012896	26JUN07	KW	DB



SEE DETAIL A FOR CIRCUIT CLOSED

1 MATERIAL: CONNECTOR- NYLON UL94V-2 (RED).
 CONTACTS- 0.30[.012] THICK COPPER ALLOY BRIGHT TIN-LEAD
 0.00203[.000080] MIN THICK FOR -2 THRU -28
 -0.30[.012] THICK COPPER ALLOY MATTE WHISKER
 MITIGATED TIN 0.00203[.000080] MIN THICKNESS
 OVER NICKEL UNDERPLATE FOR -32 THRU -58.

- 2. CONTACTS ACCEPT 22 AWG WIRE WITH 2.41[.095] MAX INSULATION DIAMETER.
- 3. CONTACTS MUST ACCEPT 1.14±0.03[.045±.001] SQUARE POST AND REMAIN LOCKED IN POSITION.
- 4 IDENTIFICATION NUMBER FOR LAST CIRCUIT MAY NOT APPEAR ON ALL ASSEMBLIES.
- 5. DIMENSIONS IN BRACKETS ARE IN INCHES.
- 6. HOUSING FEATURES ARE: FEED-THRU WITHOUT LOCKING RAMP.

7 DETAIL "A" SHOWS A CIRCUIT MOLDED CLOSED.

FINISH	DIM A	NO OF CIRCUITS	PART NO
TIN	19.81 [.780]	5	3-647174-5
TIN-LEAD	19.81 [.780]	5	647174-5

THIS DRAWING IS A CONTROLLED DOCUMENT.

DWN	B.LEWIS	06JAN98	Tyco Electronics Corporation Harrisburg, PA 17105-3608
CHK	R.SWING	06JAN98	
APVD	C.JONES	06JAN98	
PRODUCT SPEC	108-1051	APPLICATION SPEC	
MATERIAL	114-1020	WEIGHT	NAME MTA-156 CONNECTOR ASSEMBLY, 22 AWG, NO. 4 CIRCUIT CLOSED SPECIAL
FINISH			SIZE A2
			CAGE CODE 00779
			DRAWING NO C=647174
			RESTRICTED TO -
CUSTOMER DRAWING			SCALE 4:1
			SHEET 1 OF 1
			REV B

